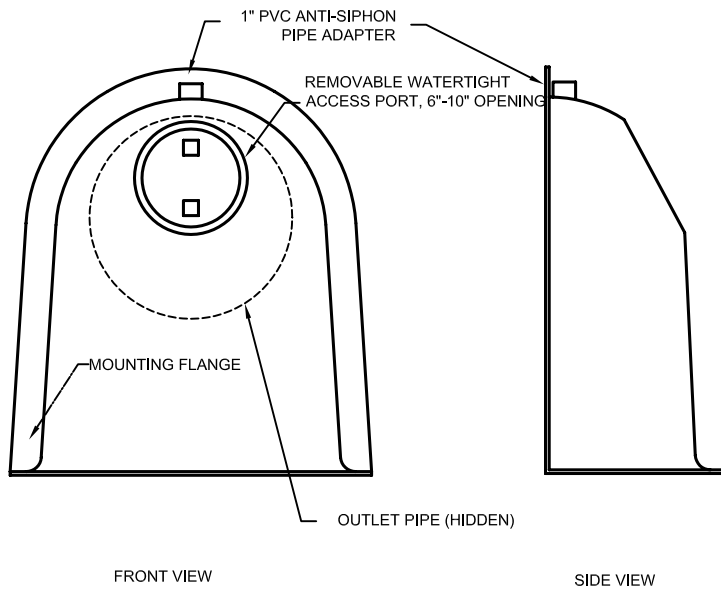


CONFIGURATION DETAIL

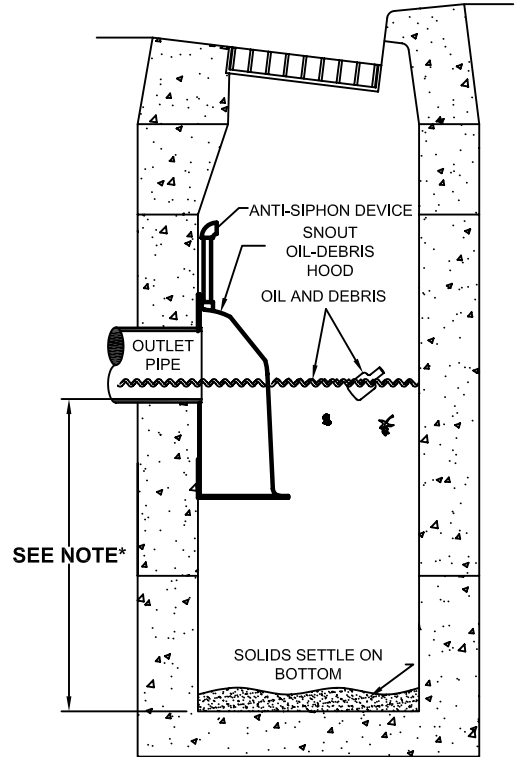


FRONT VIEW

SIDE VIEW

SNOUT OIL-WATER-DEBRIS SEPARATOR

TYPICAL INSTALLATION



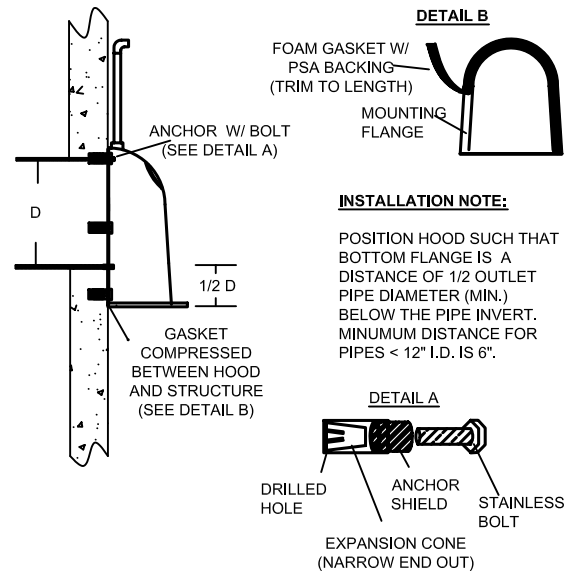
*NOTE- SUMP DEPTH OF 36" MIN. FOR < OR= 12" DIAM. OUTLET. FOR OUTLETS >OR= 15", DEPTH = 2.5-3X DIAM.

NOTES:

1. ALL HOODS AND TRAPS FOR CATCH BASINS AND WATER QUALITY STRUCTURES SHALL BE AS MANUFACTURED BY:
BEST MANAGEMENT PRODUCTS, INC.
53 MT. ARCHER RD.
LYME, CT 06371
(860) 434-0277, (860) 434-3195 FAX
TOLL FREE: (800) 504-8008 OR (888) 434-0277
WEB SITE: www.bmpinc.com
OR PRE-APPROVED EQUAL
2. ALL HOODS SHALL BE CONSTRUCTED OF A GLASS REINFORCED RESIN COMPOSITE WITH ISO GEL COAT EXTERIOR FINISH WITH A MINIMUM 0.125" LAMINATE THICKNESS.
3. ALL HOODS SHALL BE EQUIPPED WITH A WATERTIGHT ACCESS PORT, A MOUNTING FLANGE, AND AN ANTI-SIPHON VENT PIPE AND ELBOW AS DRAWN. (SEE CONFIGURATION DETAIL)
4. THE SIZE AND POSITION OF THE HOOD SHALL BE DETERMINED BY OUTLET PIPE SIZE AS PER MANUFACTURER'S RECOMMENDATION (SNOUT SIZE ALWAYS LARGER THAN PIPE SIZE).
5. THE BOTTOM OF THE HOOD SHALL EXTEND DOWNWARD A MINIMUM DISTANCE EQUAL TO 1/2 THE OUTLET PIPE DIAMETER WITH A MINIMUM DISTANCE OF 6" FOR PIPES <12" I.D.
6. THE ANTI-SIPHON VENT SHALL EXTEND ABOVE HOOD BY MINIMUM OF 3" AND A MAXIMUM OF 12" ACCORDING TO STRUCTURE CONFIGURATION.
7. THE SURFACE OF THE STRUCTURE WHERE THE HOOD IS MOUNTED SHALL BE FINISHED SMOOTH AND FREE OF LOOSE MATERIAL AND PIPE SHALL BE FINISHED FLUSH TO WALL.
8. THE HOOD SHALL BE SECURELY ATTACHED TO STRUCTURE WALL WITH 3/8" STAINLESS STEEL BOLTS AND OIL-RESISTANT GASKET AS SUPPLIED BY MANUFACTURER. (SEE INSTALLATION DETAIL)
9. INSTALLATION INSTRUCTIONS SHALL BE FURNISHED WITH MANUFACTURER SUPPLIED INSTALLATION KIT.
INSTALLATION KIT SHALL INCLUDE:
A. INSTALLATION INSTRUCTIONS
B. PVC ANTI-SIPHON VENT PIPE AND ADAPTER
C. OIL-RESISTANT CRUSHED CELL FOAM GASKET WITH PSA BACKING
D. 3/8" STAINLESS STEEL BOLTS
E. ANCHOR SHIELDS

US Patent # 6126817

INSTALLATION DETAIL



INSTALLATION NOTE:

POSITION HOOD SUCH THAT BOTTOM FLANGE IS A DISTANCE OF 1/2 OUTLET PIPE DIAMETER (MIN.) BELOW THE PIPE INVERT. MINIMUM DISTANCE FOR PIPES < 12" I.D. IS 6".

HOOD SPECIFICATION FOR CATCH BASINS AND WATER QUALITY STRUCTURES

DESCRIPTION OIL- DEBRIS HOOD SPECIFICATION AND INSTALLATION (TYPICAL)	DATE 09/08/00	SCALE NONE
	DRAWING NUMBER SP-SN	