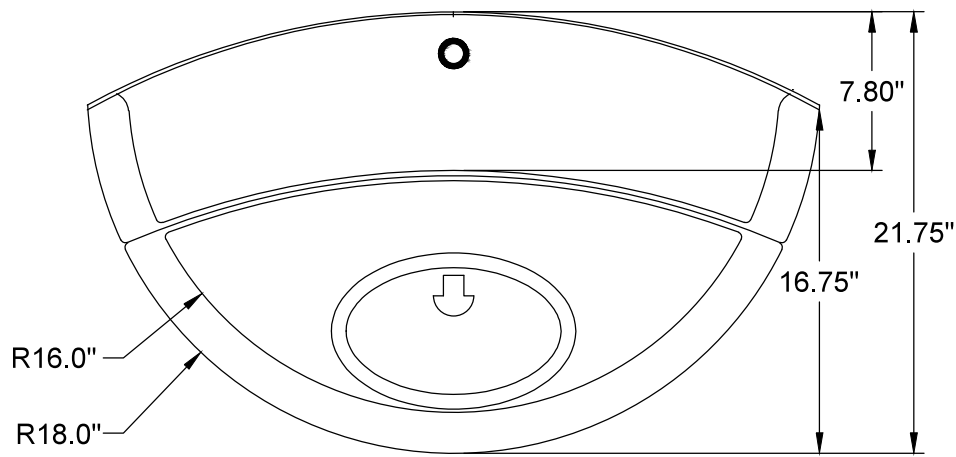


FRONT

SIDE



PLAN

DESIGNED TO FIT  
60"-72" DIAM.  
STRUCTURES FOR  
UP TO 24" ID PIPE

U.S. PATENT #6126817 ADDITIONAL PATENTS PENDING

**BMP, INC.**

9 MATTHEWS DR. A1-A2 E. HADDAM CT. 06432  
(800) 504-8008 FAX: (860)434-3195

DESCRIPTION	DATE	SCALE
30R SNOOT SPLIT	3-05-20	NONE