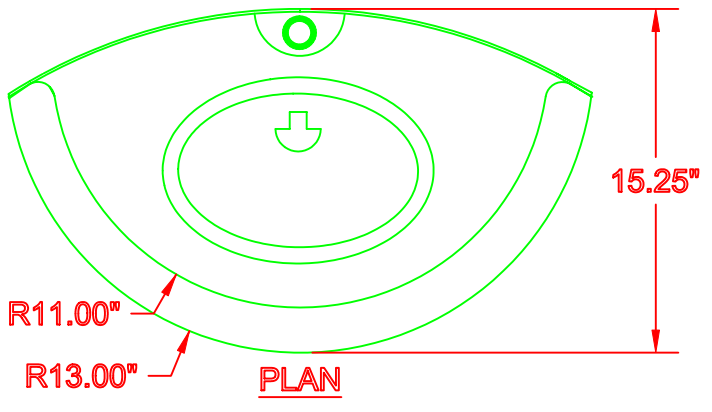


FRONT



SIDE



PLAN

FOR 48"-60" DIAM. STRUCTURE

U.S. PATENT #6126817 ADDITIONAL PATENTS PENDING

<p>BMP, INC. 53 MT. ARCHER ROAD, LYME, CT. 06371 (800) 504-8008 FAX: (860)434-3195</p>		
<p>DESCRIPTION</p> <p>18R10XD SNOOT OIL & DEBRIS STOP</p>	<p>DATE</p> <p>06/01/06</p>	<p>SCALE</p> <p>NONE</p>
<p>DRAWING NUMBER</p> <p>18R10XD</p>		