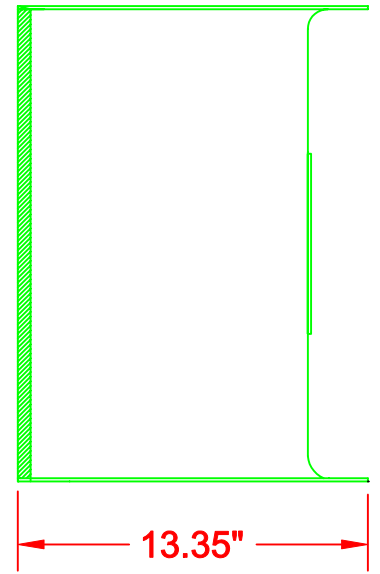
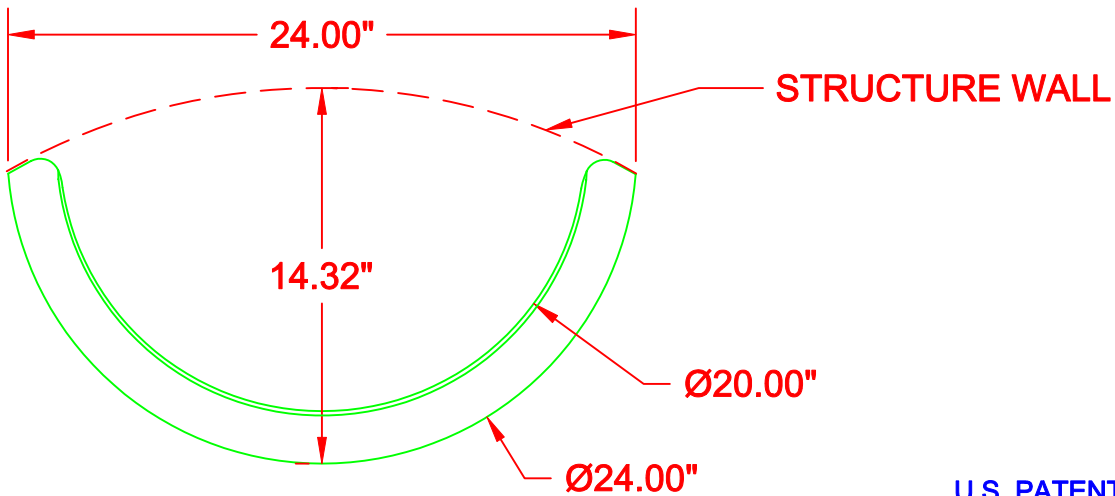


FRONT



SIDE



PLAN

U.S. PATENT# 6126817
 FOREIGN PATENTS PENDING

BMP, INC.

53 MT. ARCHER ROAD, LYME, CT. 06371
 (800) 504-8008 FAX: (860)434-3195

DESCRIPTION	DATE	SCALE
18R RISER SECTION	03/26/01	NONE
DRAWING NUMBER		18RRS