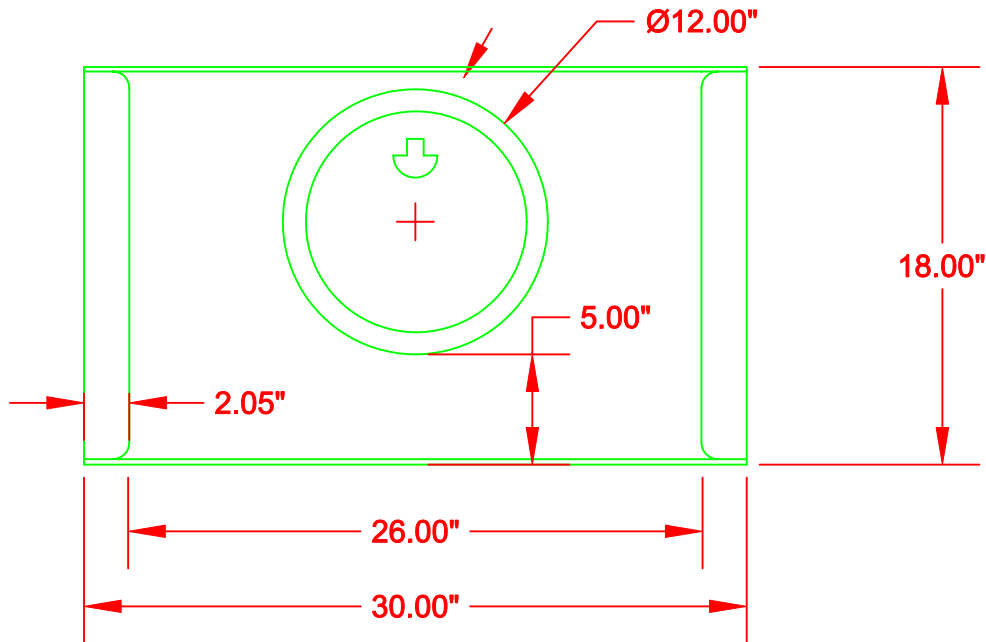
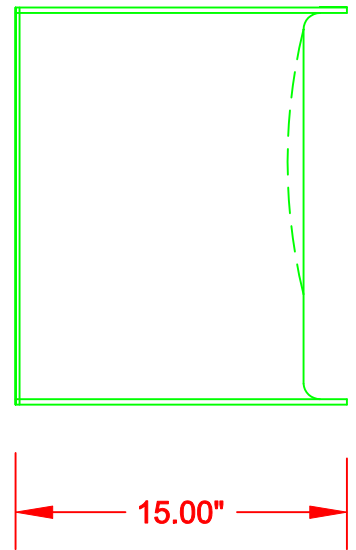


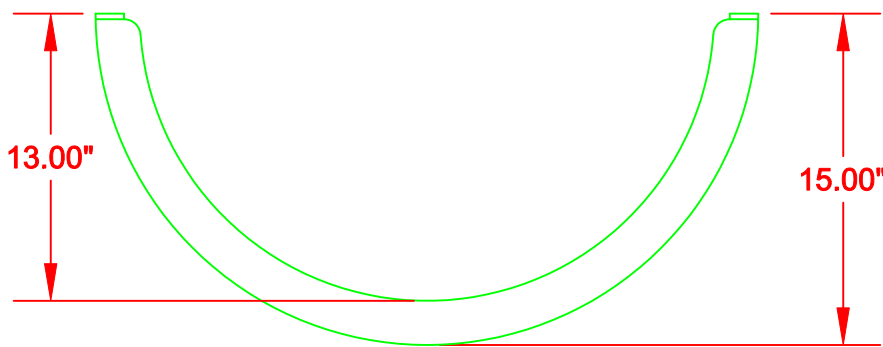
REMOVABLE WATERTIGHT
ACCESS PORT, 10" OPENING
(OPTIONAL)



FRONT



SIDE



PLAN

U.S. AND FOREIGN PATENTS PENDING

BMP, INC.

53 MT. ARCHER ROAD, LYME, CT. 06371
(800) 504-8008 FAX: (860)434-3195

DESCRIPTION	DATE	SCALE
24F SNOOT RSH RISER SECTION	11/04/02	NONE
	DRAWING NUMBER 24FRSH	