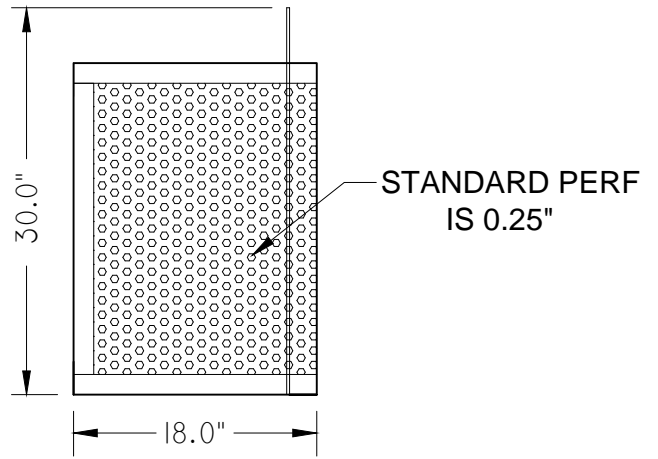
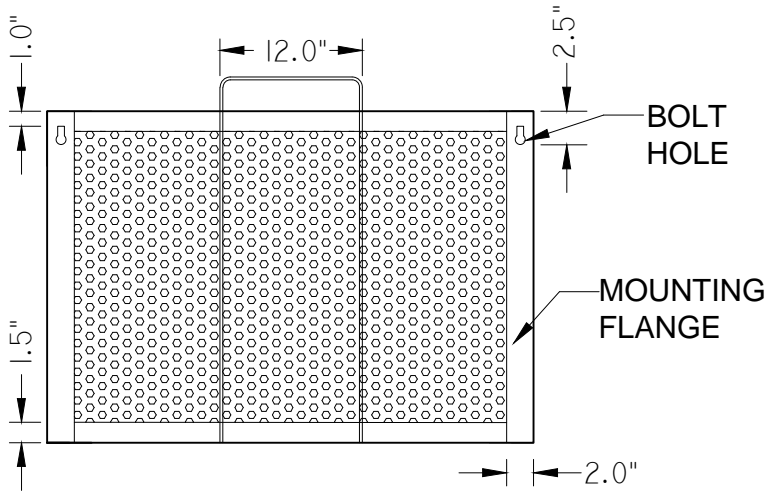


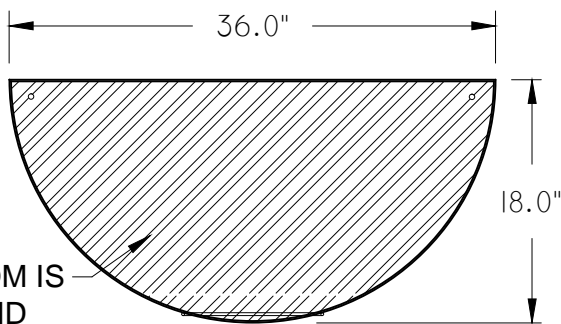
FRONT



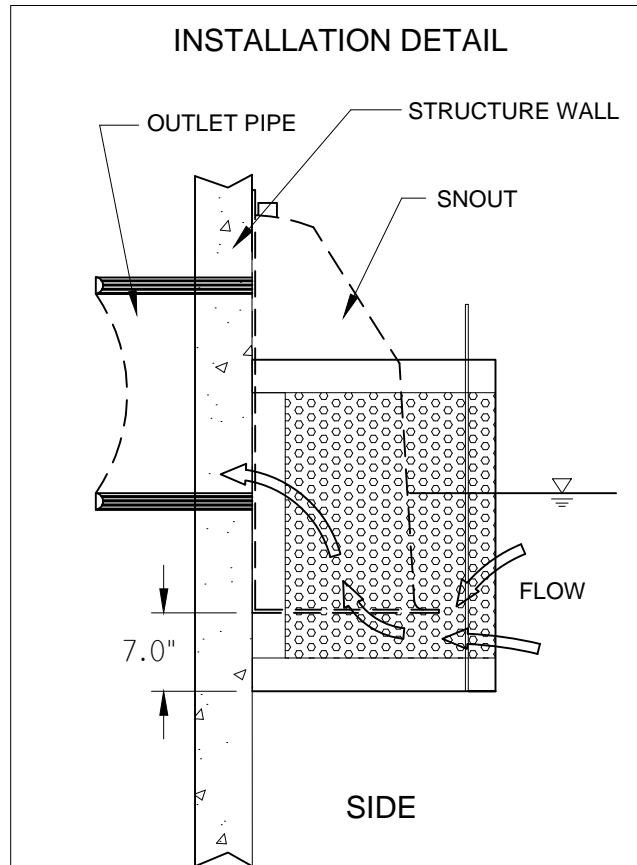
SIDE



BACK



TOP



INSTALLATION DETAIL

SIDE

US PATENTS 6126817, 2688012, 7857966, 8512556
 CANADA PATENTS 2285146, 2690156, 2688012
 OTHERS PENDING

PLEASE NOTE THAT R SERIES SNOOTS
 REQUIRE ADAPTER AT EXTRA COST

MIN.MATERIAL IS 304 STAINLESS

BMP, INC.

53 MT. ARCHER ROAD, LYME, CT. 06371
 (800) 504-8008 FAX: (860)434-3195

DESCRIPTION BMP 24F STAINLESS TRASHSCREEN	DATE 3-4-16	SCALE NONE
	DRAWING NUMBER 24FSTS	