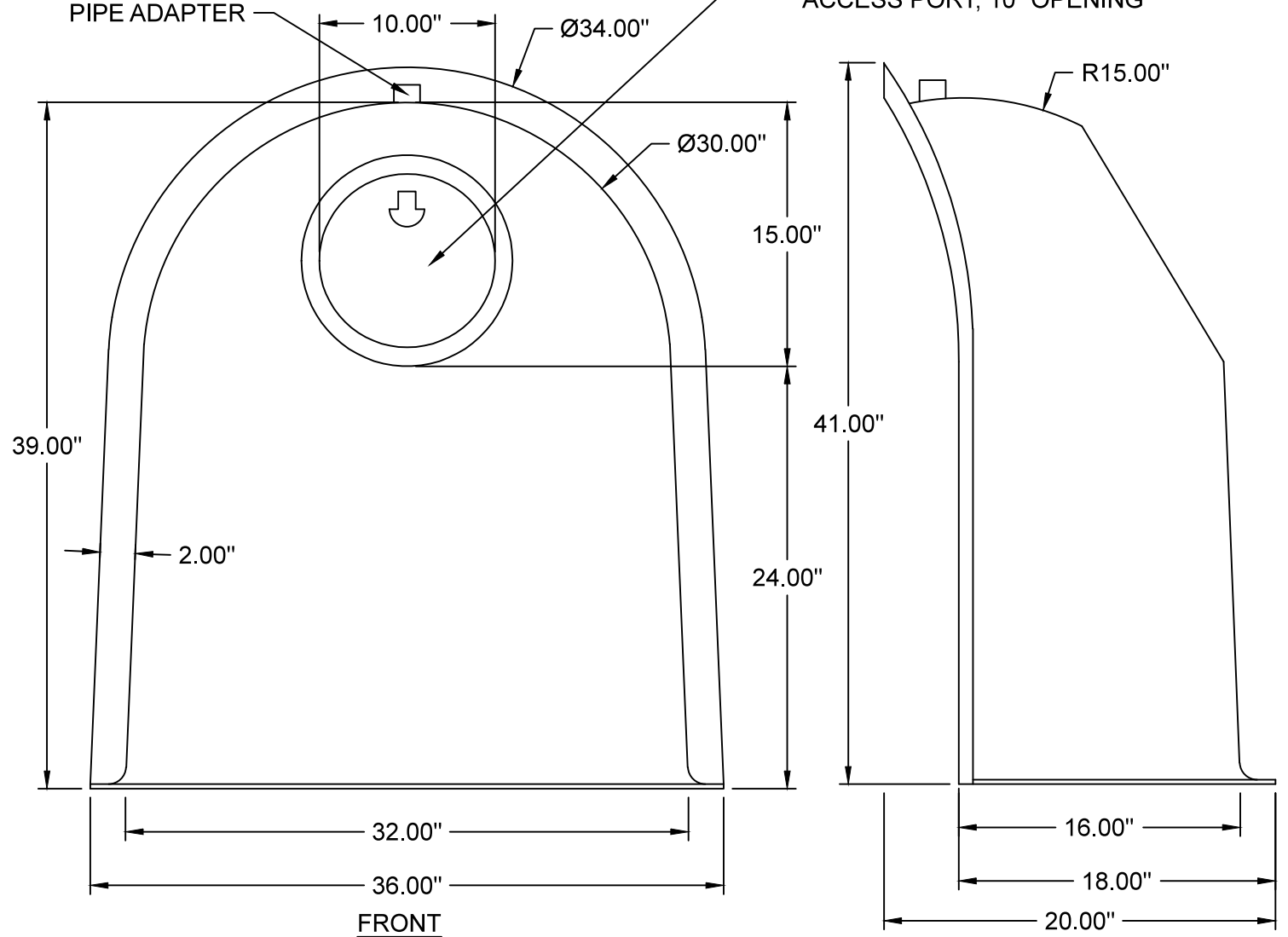


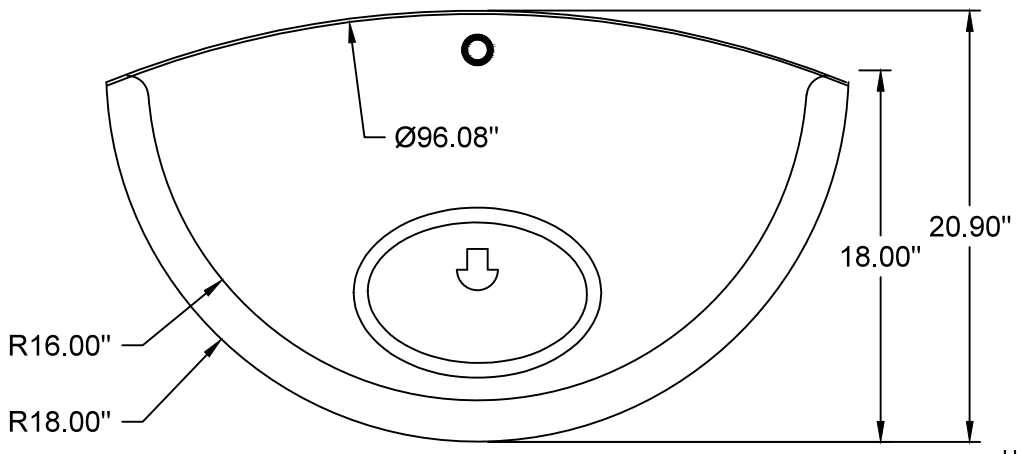
1" PVC ANTI-SIPHON
PIPE ADAPTER

REMOVABLE WATERTIGHT
ACCESS PORT, 10" OPENING



FRONT

SIDE



PLAN

U.S. PATENT #6126817 ADDITIONAL PATENTS PENDING

DESIGNED TO FIT 96"
DIAM. STRUCTURES

RECOMMENDED MIN.
SUMP DEPTH 2.5 TO 3X
OUTLET PIPE I.D.

BMP, INC.		
53 MT. ARCHER ROAD, LYME, CT. 06371 (800) 504-8008 FAX: (860)434-3195		
DESCRIPTION 30R-96	DATE 07/04/16	SCALE NONE
SNOUT OIL & DEBRIS STOP		DRAWING NUMBER 30R-96