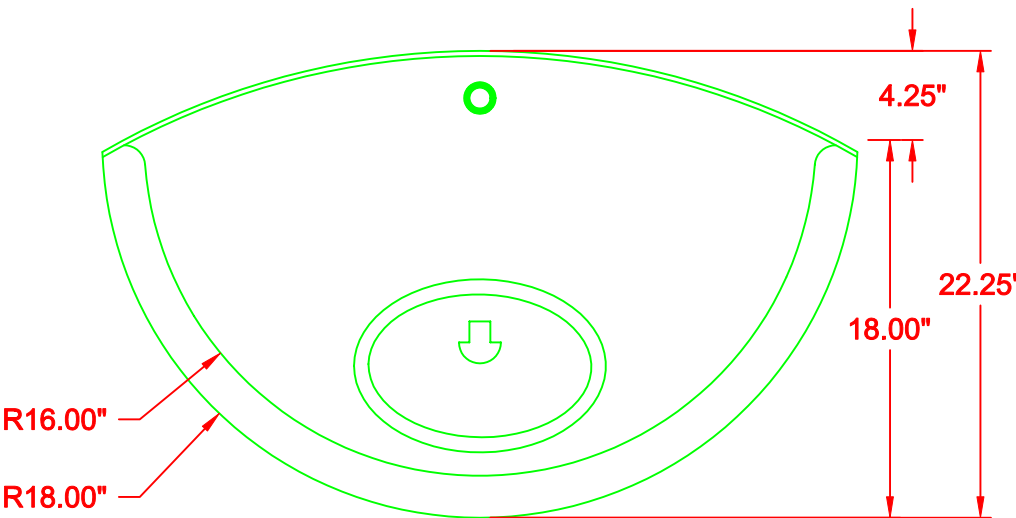
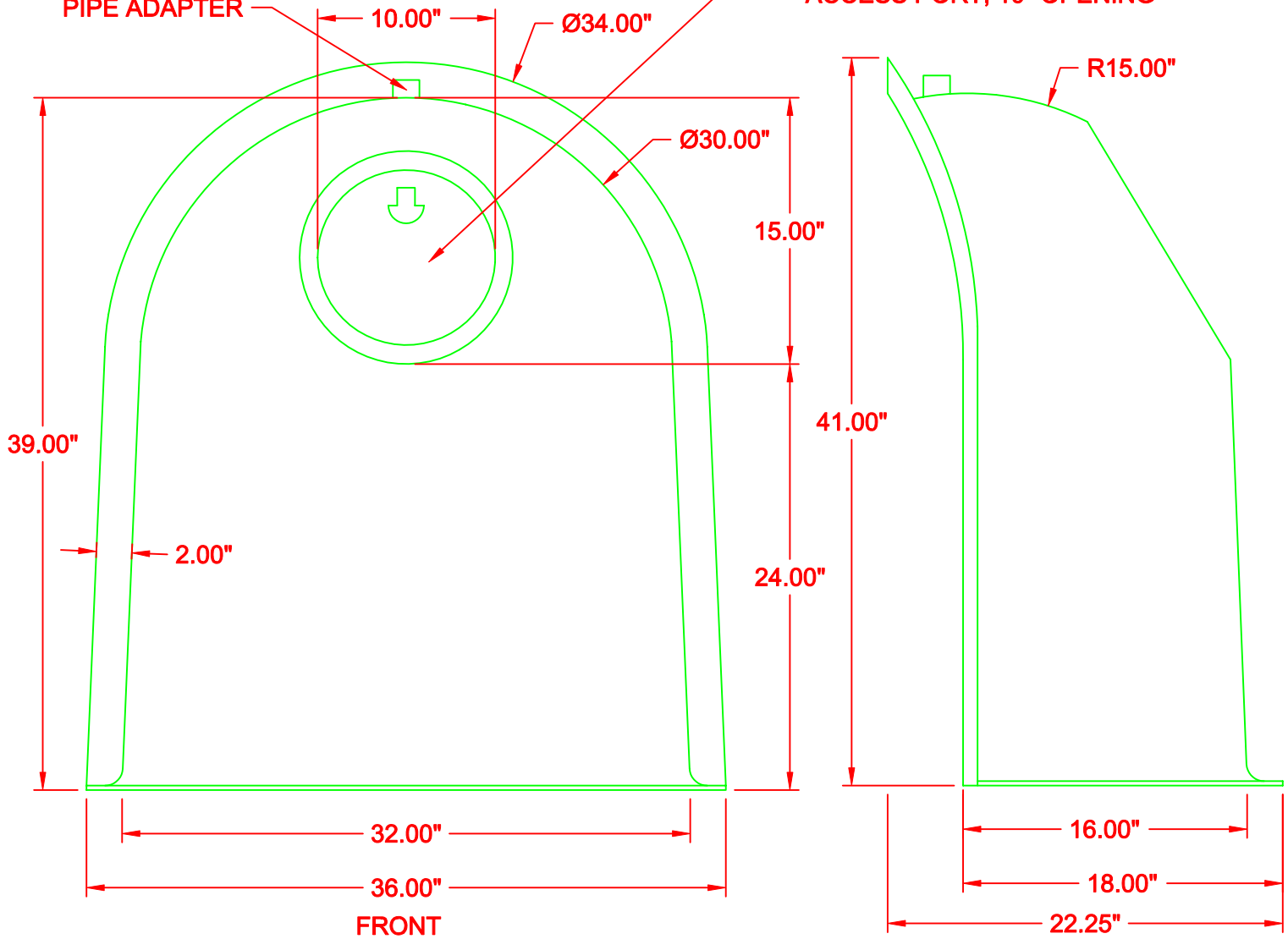


1" PVC ANTI-SIPHON  
PIPE ADAPTER

REMOVABLE WATERTIGHT  
ACCESS PORT, 10" OPENING



**PLAN**

DESIGNED TO FIT  
60"-72" DIAM.  
STRUCTURES

U.S.PATENT #6126817 ADDITIONAL PATENTS PENDING

<b>BMP, INC.</b>		
53 MT. ARCHER ROAD, LYME, CT. 06371 (800) 504-8008 FAX: (860)434-3195		
DESCRIPTION	DATE	SCALE
<b>30R SNOUT OIL &amp; DEBRIS STOP</b>	10/04/99	NONE
DRAWING NUMBER		<b>30R</b>