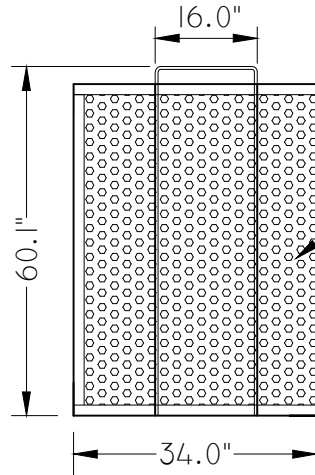
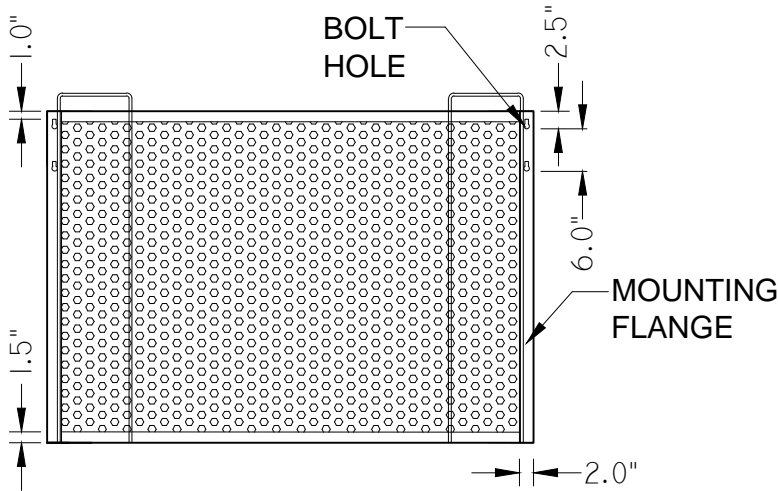


FRONT

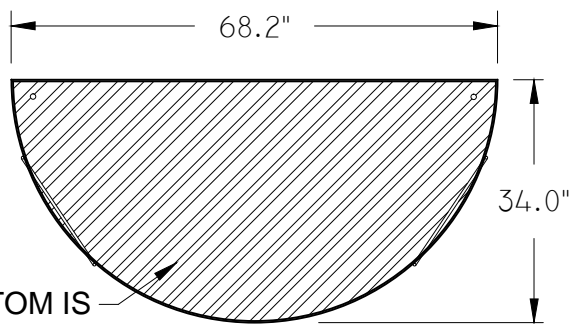


SIDE

STANDARD PERF
IS 0.25"



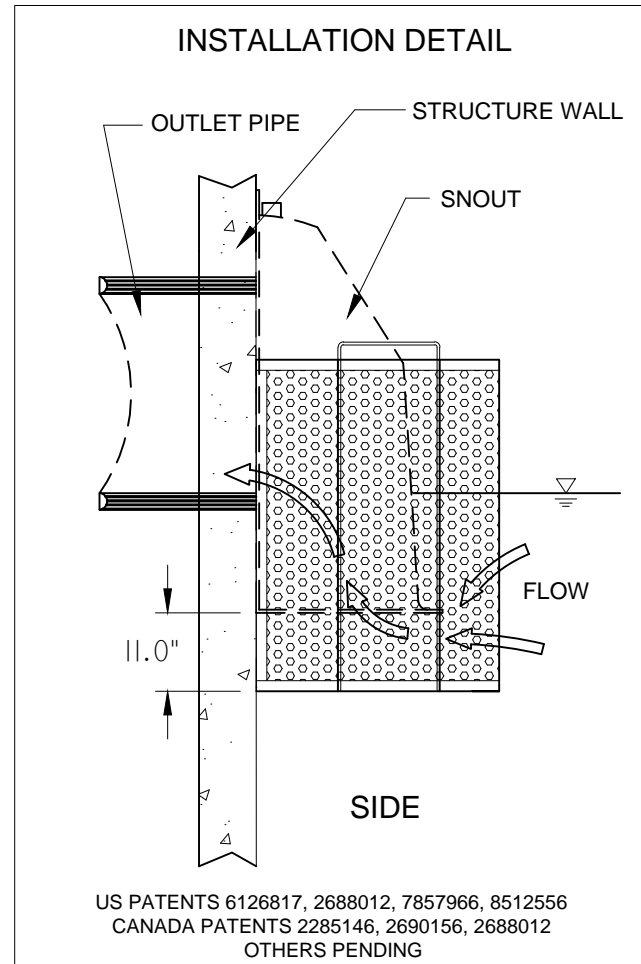
BACK



TOP

BOTTOM IS
SOLID

MIN. MATERIAL IS 304 STAINLESS



BMP, INC.

53 MT. ARCHER ROAD, LYME, CT. 06371
(800) 504-8008 FAX: (860)434-3195

DESCRIPTION BMP 48F STAINLESS TRASHSCREEN	DATE 3-4-16	SCALE NONE
	DRAWING NUMBER 48FSTS	