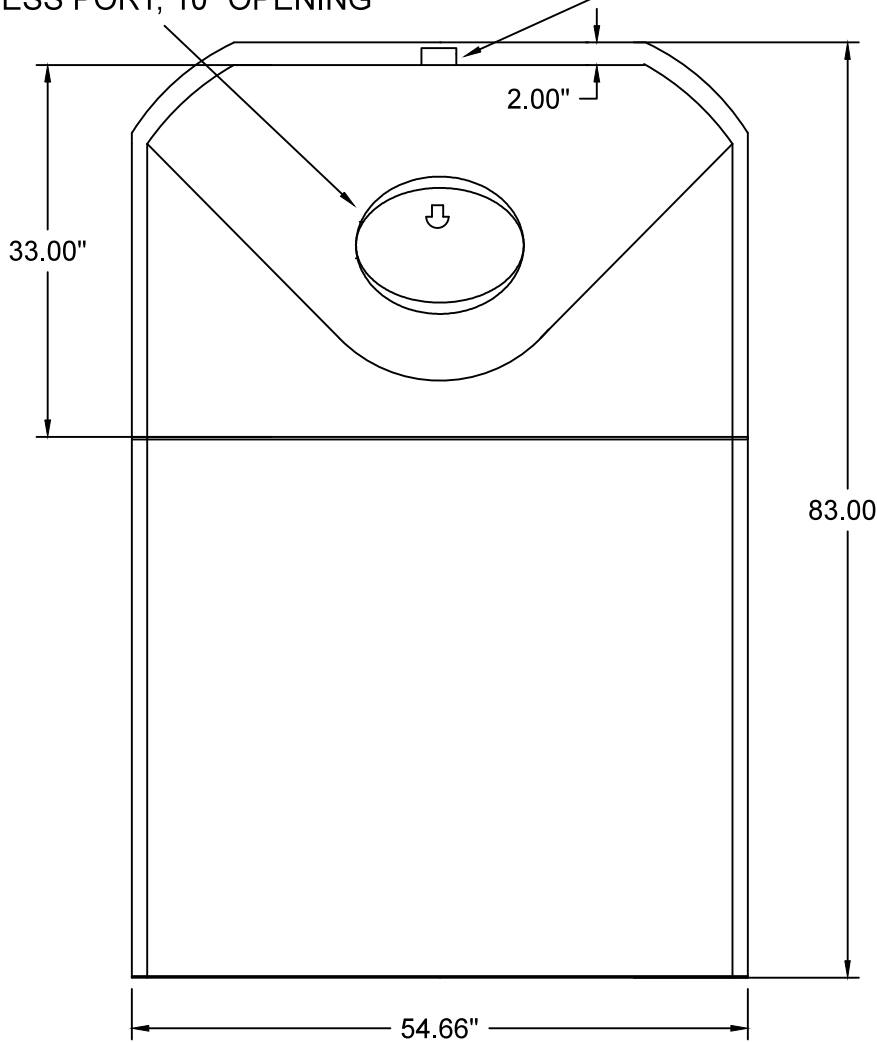
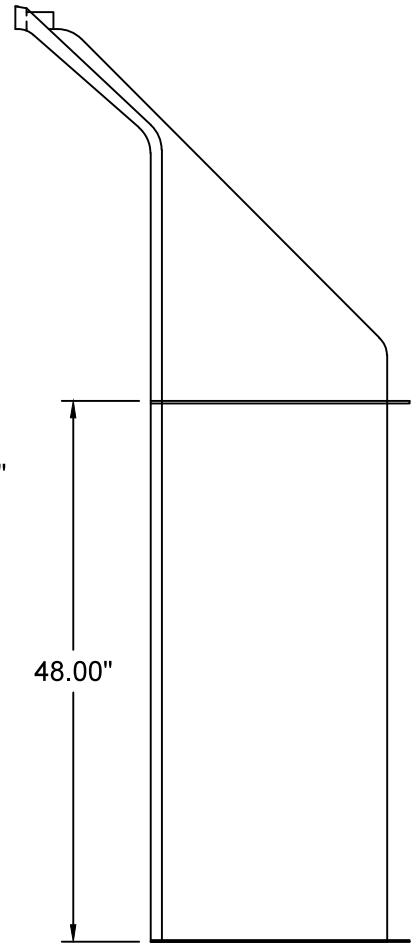


REMOVABLE WATERTIGHT ACCESS PORT, 10" OPENING

1.5" PVC ANTI-SIPHON PIPE ADAPTER

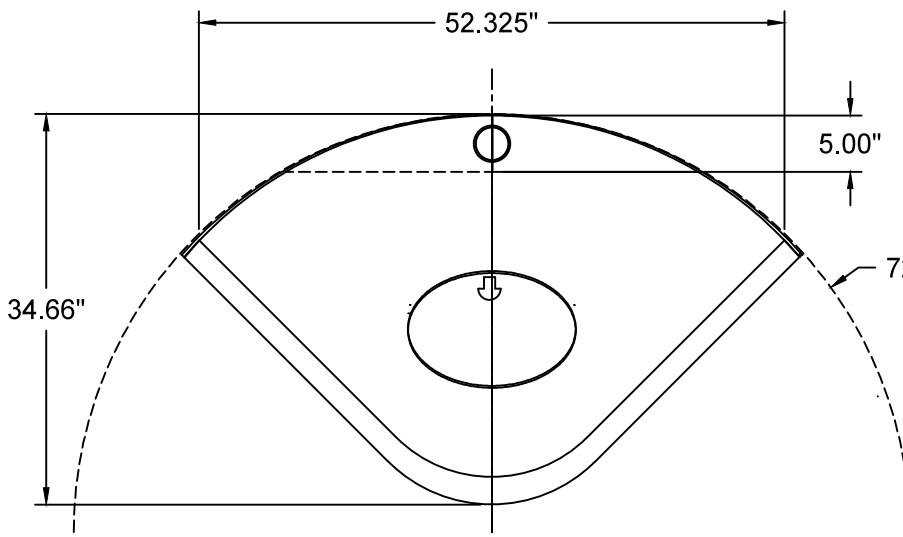


FRONT



SECTION

HEAVY DUTY SNOOT WITH
1708 BIAXIAL FIBERGLASS
REINFORCEMENT



PLAN

72.00" DIAM STRUCTURE

DESIGN NOTE: 52RTB/72 IS A 2-PIECE PART FOR
INSTALLATION IN A 72" DIAM. STRUCTURE ONLY

U.S. PATENT #6126817 ADDITIONAL PATENTS PENDING

BMP, INC.

53 MT. ARCHER ROAD, LYME, CT. 06371
(800) 504-8008 FAX: (860) 434-3195

DESCRIPTION	DATE	SCALE
52RTB/72 HD SNOOT	03/01/16	NONE
OIL-DEBRIS STOP	DRAWING NUMBER 52RTB/72HD	