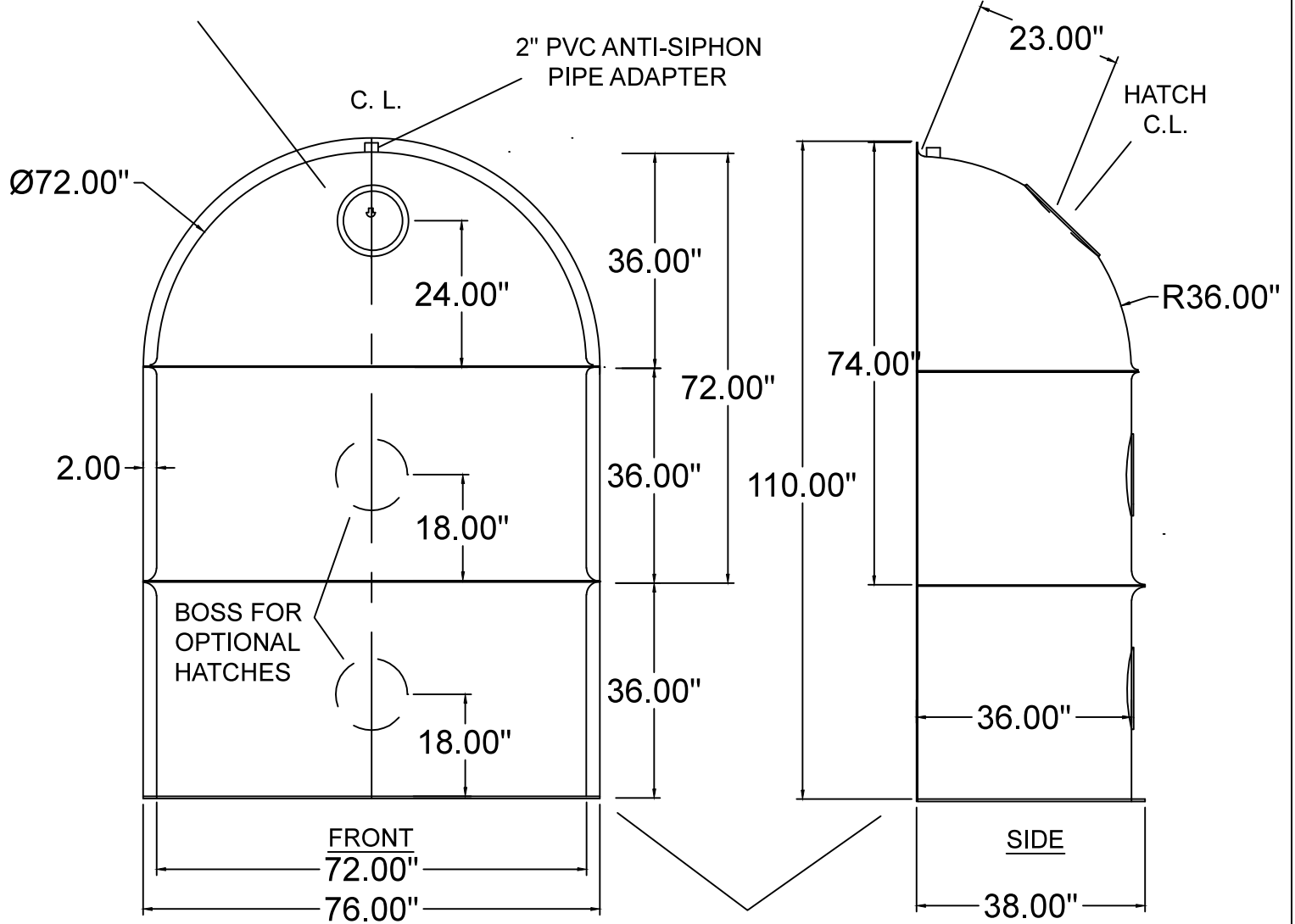
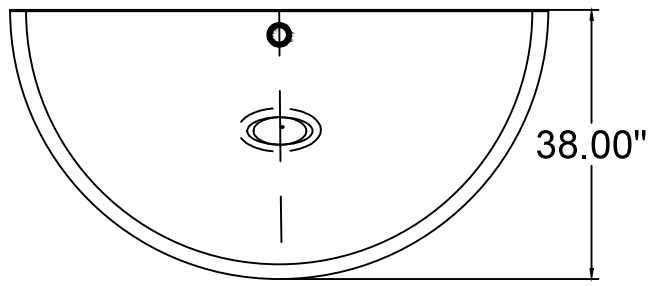


REMOVABLE WATERTIGHT  
INSPECTION PORT, 10" OPENING



EXTRA BASE  
FOR 72FTBB



PLAN

HEAVY DUTY SNOUT WITH  
1708 BIAXIAL FIBERGLASS  
REINFORCEMENT

U.S. PATENT #6126817  
CANADA PATENT #2285146

<p><b>BMP, INC</b></p> <p>53 MT.ARCHER RD., LYME CT 06371</p> <p>(800) 504-8008 FAX: (877) 434-3197</p>		
DESCRIPTION	DATE	SCALE
72FTBB HD SNOUT OIL & DEBRIS STOP (TOP & 2 BASES)	09/01/15	NONE
	DRAWING NUMBER	
72FTBB HD		