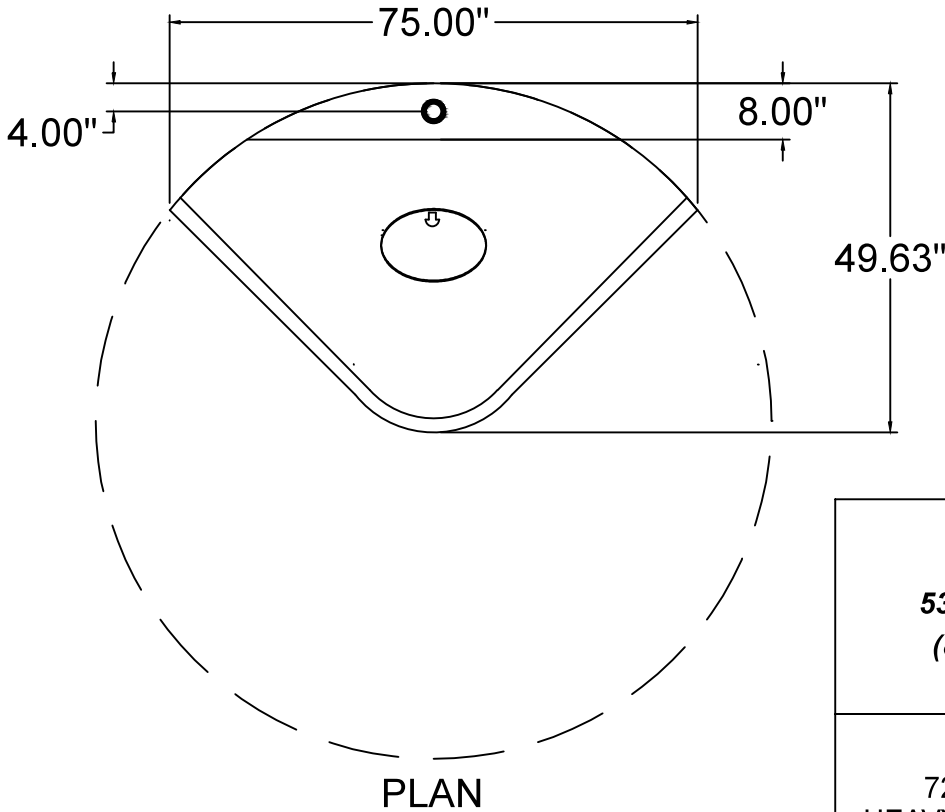
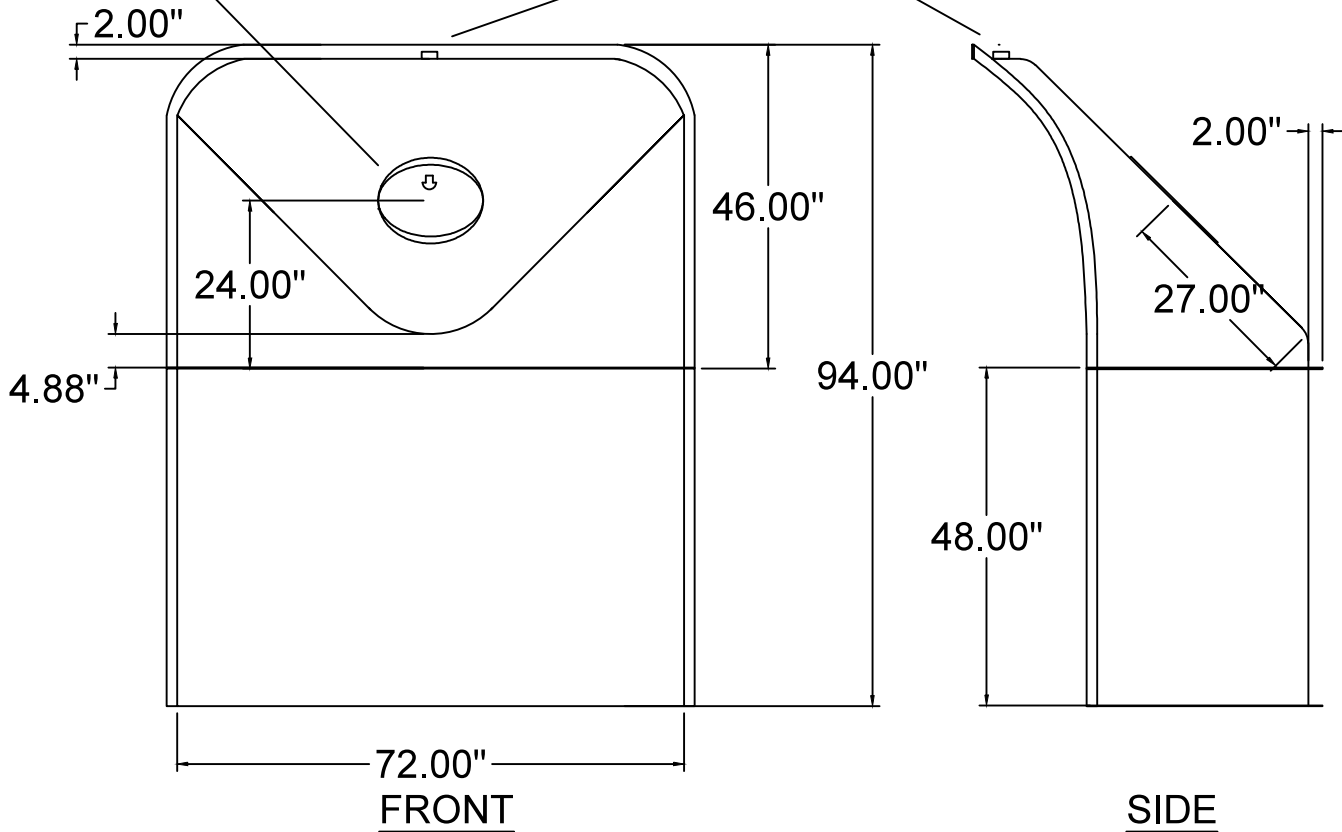


REMOVABLE WATERTIGHT  
INSPECTION PORT, 10" OPENING

2" PVC ANTI-SIPHON  
PIPE ADAPTER



HEAVY DUTY SNOOT WITH  
1708 BIAXIAL FIBERGLASS  
REINFORCEMENT

U.S. PATENT #6126817  
CANADA PATENT #2285146

NOTE: FITS 96" ID STRUCTURE ONLY  
(MIN. SUMP DEPTH 2.5X OUTLET PIPE ID)

<b>BMP, INC</b>		
53 MT.ARCHER RD., LYME CT 06371 (800) 504-8008 FAX: (877) 434-3197		
DESCRIPTION	DATE	SCALE
72RTB/96HD HEAVY DUTY SNOOT OIL & DEBRIS STOP	05/01/16	NONE
	DRAWING NUMBER	
72RTB/96HD		