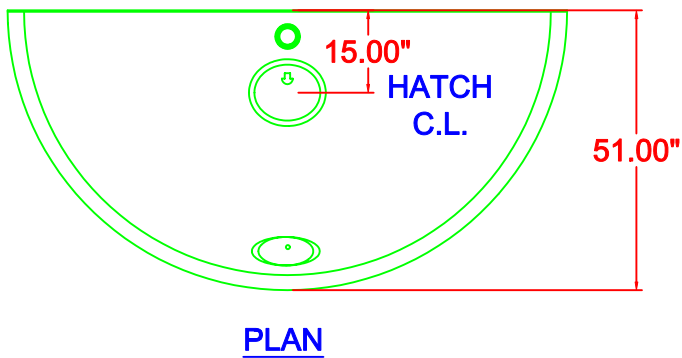
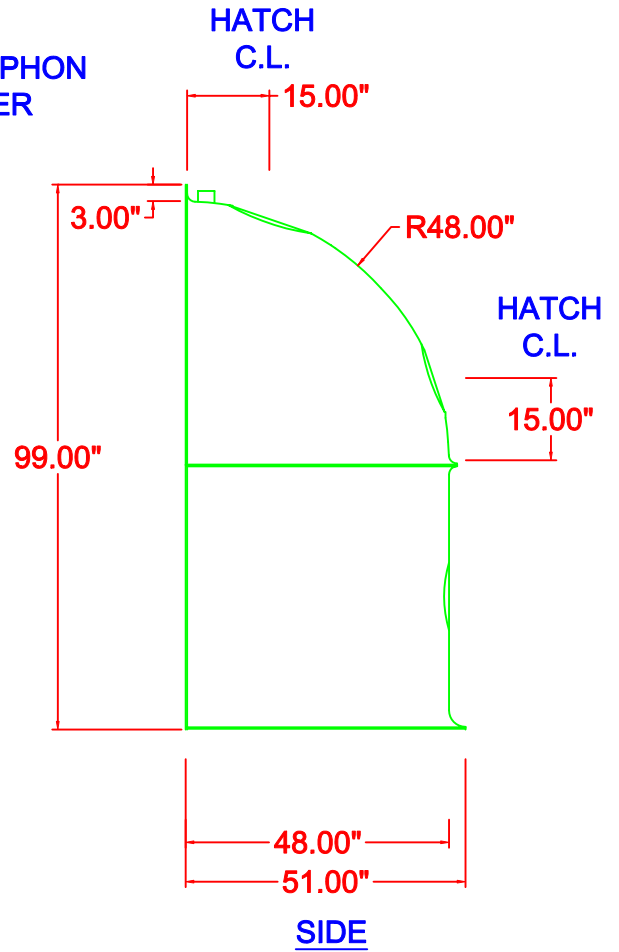
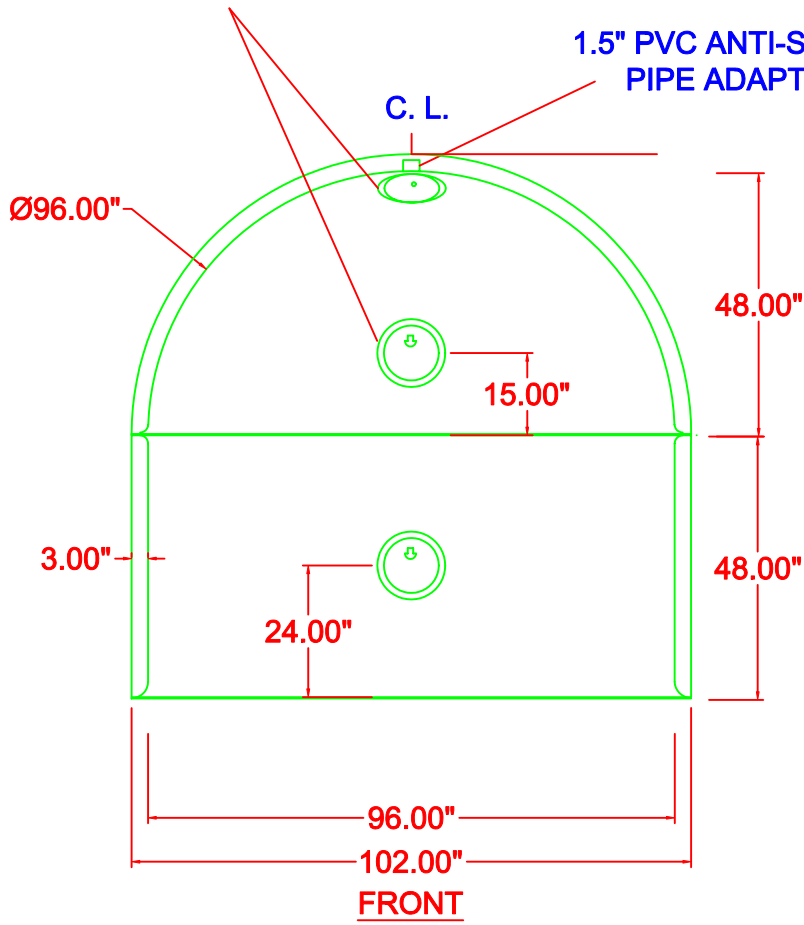


**REMOVABLE WATERTIGHT  
INSPECTION PORTS, 10" OPENING**



U.S.PATENT #6126817 ADDITIONAL PATENTS PENDING

**BMP, INC**

**53 MT.ARCHER RD., LYME CT 06371  
(800) 504-8008 FAX: (860) 434-3195**

DESCRIPTION  96FTB SNOOT OIL & DEBRIS STOP (TOP & 1 BASE)	DATE 11/12/02	SCALE NONE
	DRAWING NUMBER  96FTB	