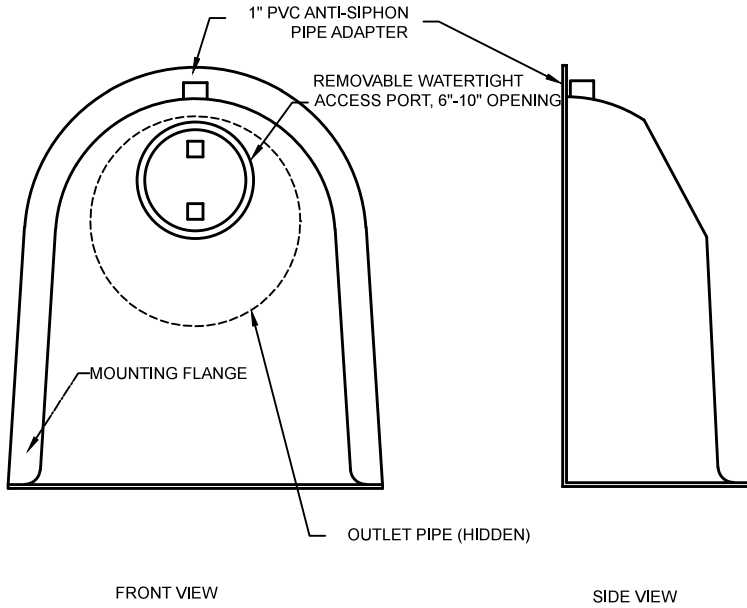
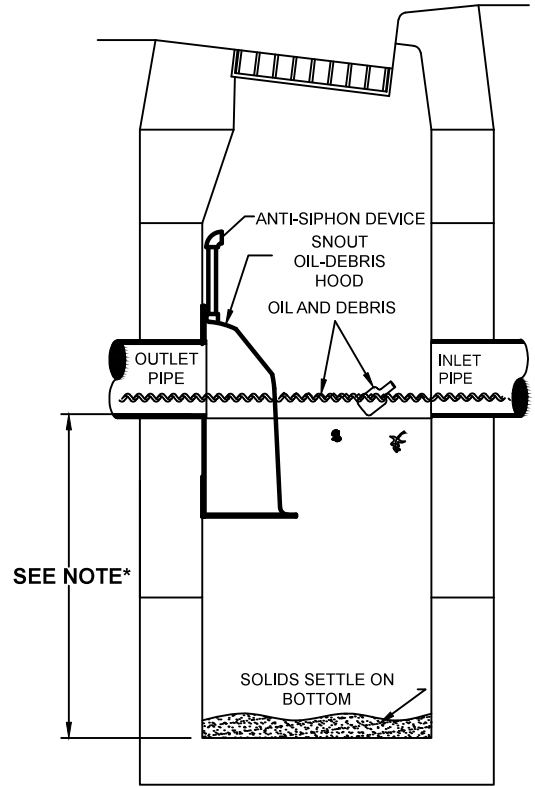


**CONFIGURATION DETAIL**



FRONT VIEW  
SIDE VIEW  
**HEAVY DUTY SNOOT OIL-WATER-DEBRIS SEPARATOR**

**TYPICAL INSTALLATION**



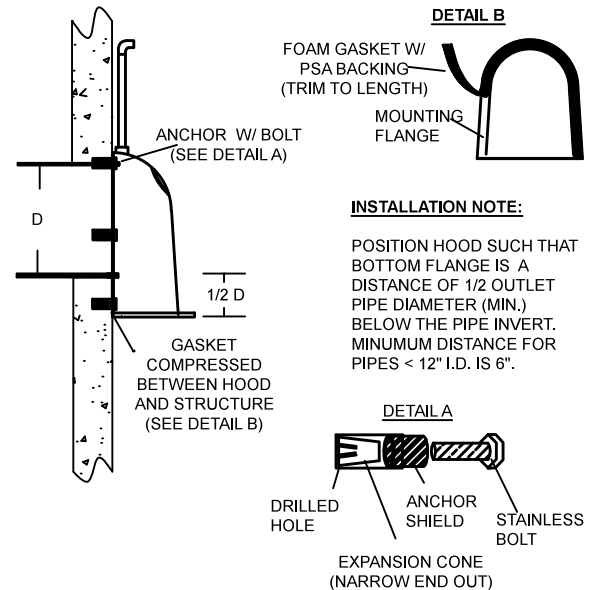
\*NOTE- SUMP DEPTH OF 36" MIN. FOR UP TO 12" ID PIPE. OUTLET. FOR PIPES 15" ID AND ABOVE SUMP DEPTH OF 2.5 TO 3 TIMES PIPE ID RECOMMENDED (E.G. 5' DEEP for 24" PIPE)

**NOTES:**

- ALL HOODS AND TRAPS FOR CATCH BASINS AND WATER QUALITY STRUCTURES SHALL BE AS MANUFACTURED BY:  
BEST MANAGEMENT PRODUCTS, INC.  
53 MT. ARCHER RD.  
LYME, CT 06371  
(860) 434-0277, (860) 434-3195 FAX  
TOLL FREE: (800) 504-8008 OR (888) 434-0277  
WEB SITE: www.bmpinc.com  
OR PRE-APPROVED EQUAL
- ALL HOODS SHALL BE LABELED "HEAVY DUTY" AND CONSTRUCTED OF A GLASS RESIN COMPOSITE WITH 1708 BIAXIAL FABRIC REINFORCEMENT AND ISO GEL COAT EXTERIOR FINISH WITH A MINIMUM 0.140" LAMINATE THICKNESS.
- ALL HOODS SHALL BE EQUIPPED WITH A WATERTIGHT ACCESS PORT, A MOUNTING FLANGE, AND AN ANTI-SIPHON VENT PIPE AND ELBOW AS DRAWN. (SEE CONFIGURATION DETAIL)
- THE SIZE AND POSITION OF THE HOOD SHALL BE DETERMINED BY OUTLET PIPE SIZE AS PER MANUFACTURER'S RECOMMENDATION (SNOOT SIZE ALWAYS LARGER THAN PIPE SIZE).
- THE BOTTOM OF THE HOOD SHALL EXTEND DOWNWARD A MINIMUM DISTANCE EQUAL TO 1/2 THE OUTLET PIPE DIAMETER WITH A MINIMUM DISTANCE OF 6" FOR PIPES <12" I.D.
- THE ANTI-SIPHON VENT SHALL EXTEND ABOVE HOOD BY MINIMUM OF 3" AND A MAXIMUM OF 12" ACCORDING TO STRUCTURE CONFIGURATION.
- THE SURFACE OF THE STRUCTURE WHERE THE HOOD IS MOUNTED SHALL BE FINISHED SMOOTH AND FREE OF LOOSE MATERIAL AND PIPE SHALL BE FINISHED FLUSH TO WALL.
- ALL STRUCTURE JOINTS SHALL BE WATERTIGHT.
- THE HOOD SHALL BE SECURELY ATTACHED TO STRUCTURE WALL WITH 3/8" STAINLESS STEEL BOLTS AND OIL-RESISTANT GASKET AS SUPPLIED BY MANUFACTURER. (SEE INSTALLATION DETAIL)
- INSTALLATION INSTRUCTIONS SHALL BE FURNISHED WITH MANUFACTURER SUPPLIED INSTALLATION KIT.  
INSTALLATION KIT SHALL INCLUDE:  
A. INSTALLATION INSTRUCTIONS  
B. PVC ANTI-SIPHON VENT PIPE AND ADAPTER  
C. OIL-RESISTANT CRUSHED CELL FOAM GASKET WITH PSA BACKING  
D. 3/8" STAINLESS STEEL BOLTS  
E. ANCHOR SHIELDS

US Patent # 6126817, 7951294, 7857966, 8512556  
Canada Patent # 2285146, 2690156, 2690156 others pending

**INSTALLATION DETAIL**



**HEAVY DUTY HOOD  
SPECIFICATION FOR CATCH BASINS  
AND WATER QUALITY STRUCTURES**

DESCRIPTION HEAVY DUTY OIL- DEBRIS HOOD SPECIFICATION AND INSTALLATION (TYPICAL)	DATE	SCALE
	09/08/15	NONE
DRAWING NUMBER <b>SP-SNHD</b>		