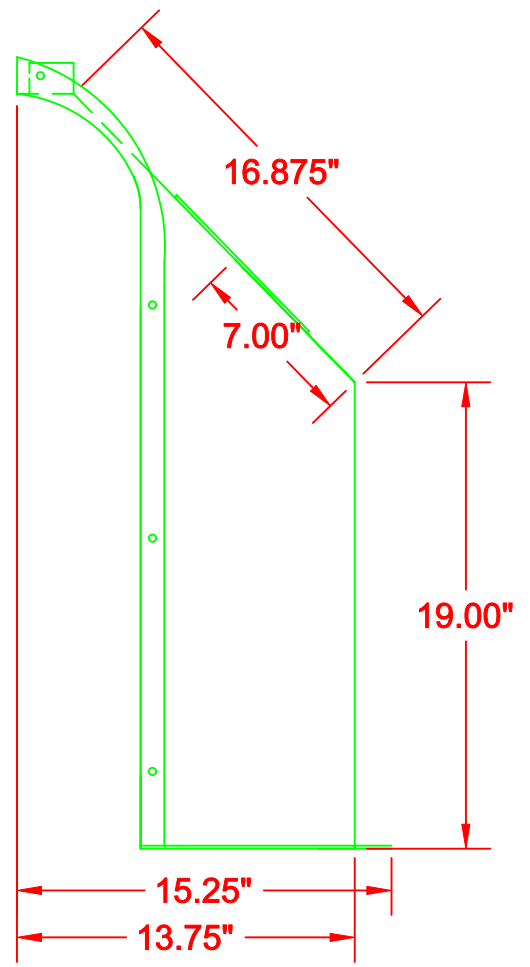
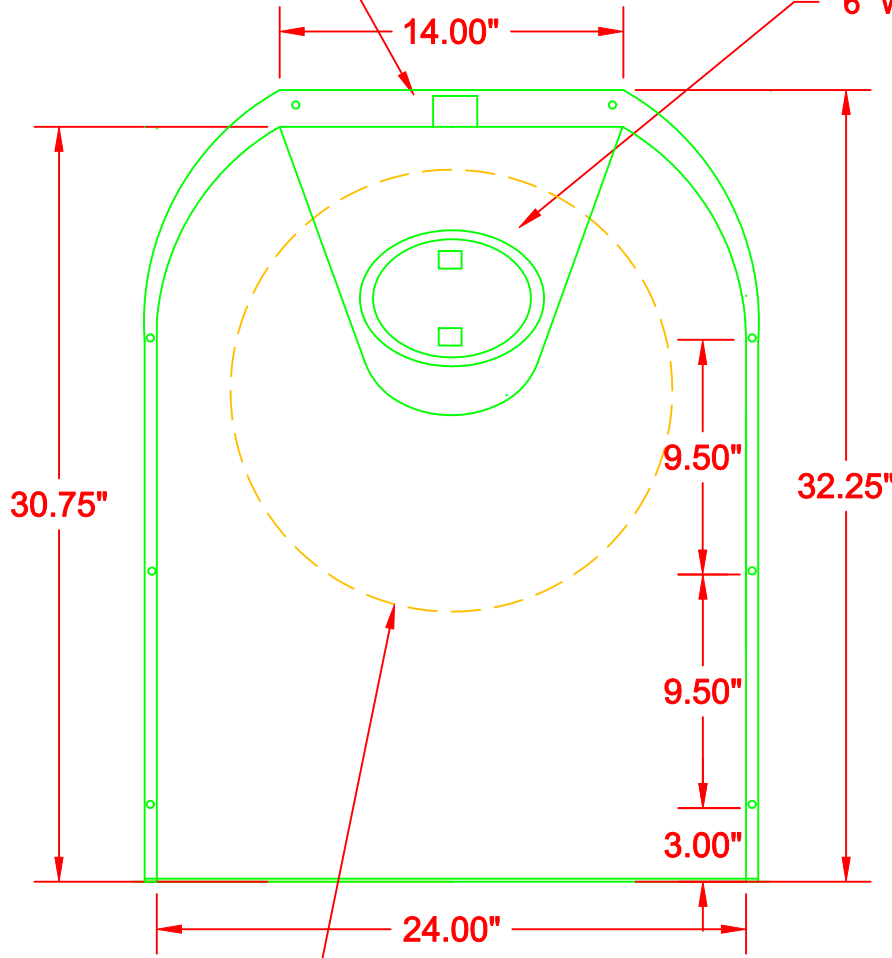


1" PVC ANTI-SIPHON
PIPE ADAPTER

6" WATERTIGHT ACCESS PORT



18" ID OUTLET
PIPE

FRONT

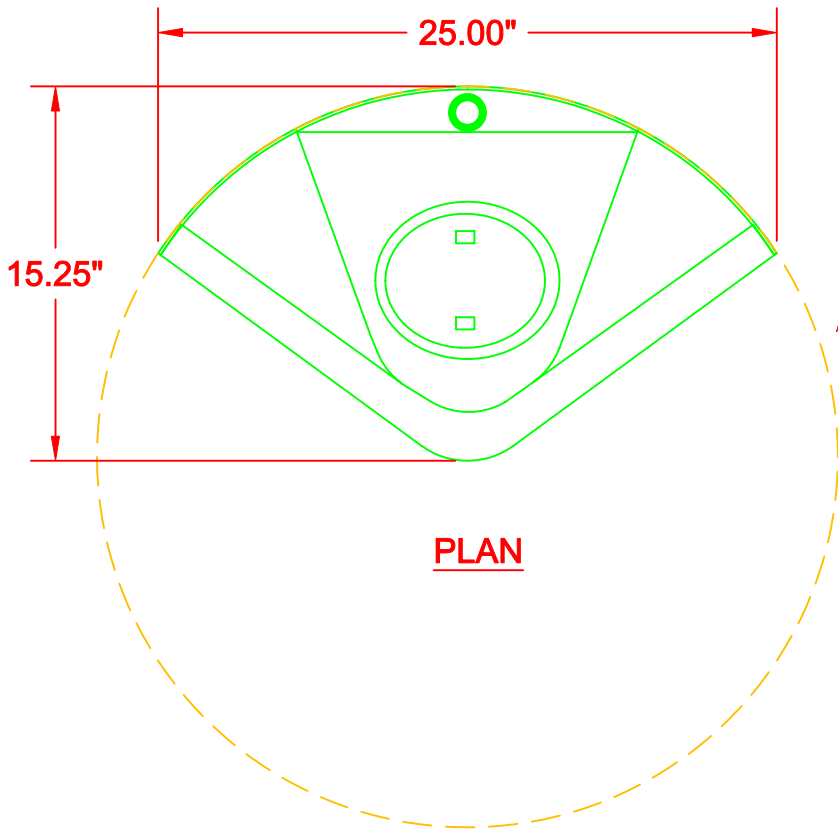
SIDE

ALL FLANGES 1.5"

FOR INSTALLATION IN
30" ID STRUCTURES ONLY

NOTE:
RECOMMENDED
SUMP DEPTH IS 48".
36" SUMP MINIMUM.

US PATENT #6126817
CANADA PATENT #2285146



PLAN

BMP, INC.

53 MT. ARCHER ROAD, LYME, CT. 06371
(800) 504-8008 FAX: (860)434-3195

DESCRIPTION	DATE	SCALE
NP1830R SNOUT OIL & DEBRIS STOP	08/08/05	NONE
DRAWING NUMBER		
NP1830R		