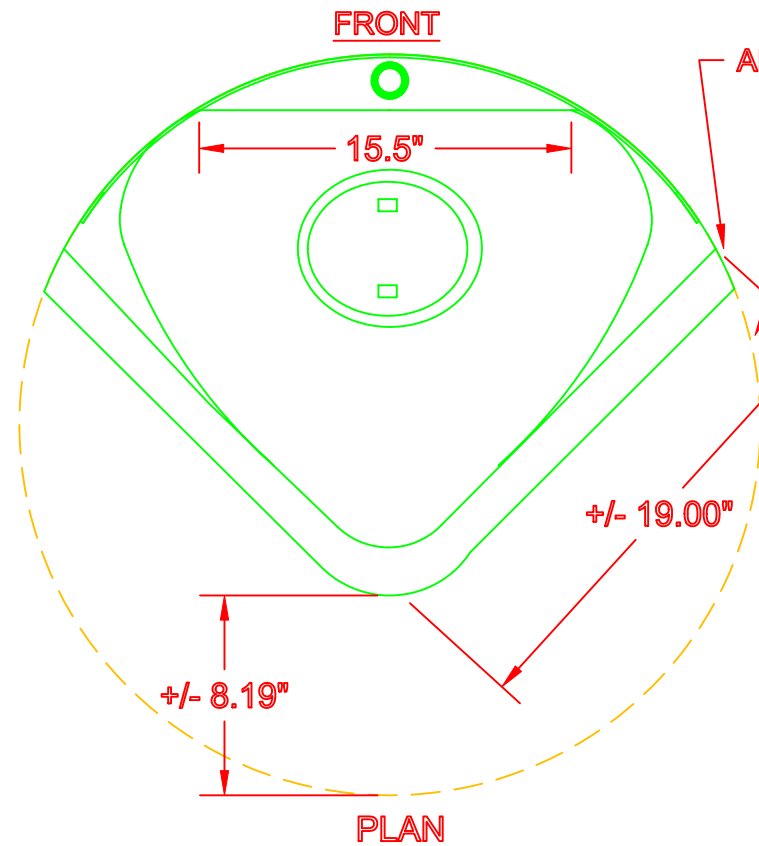
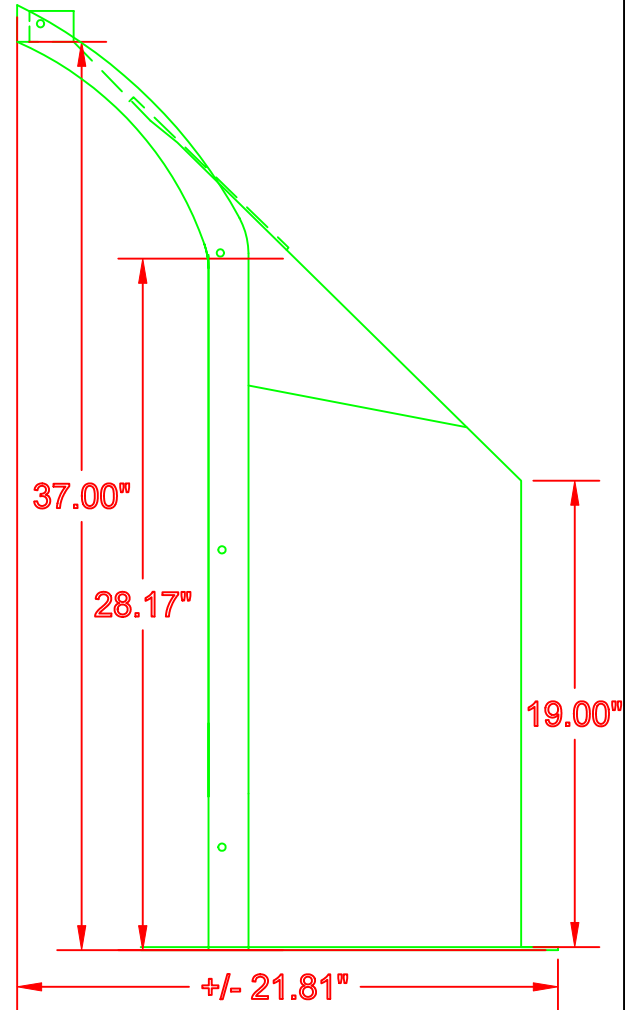
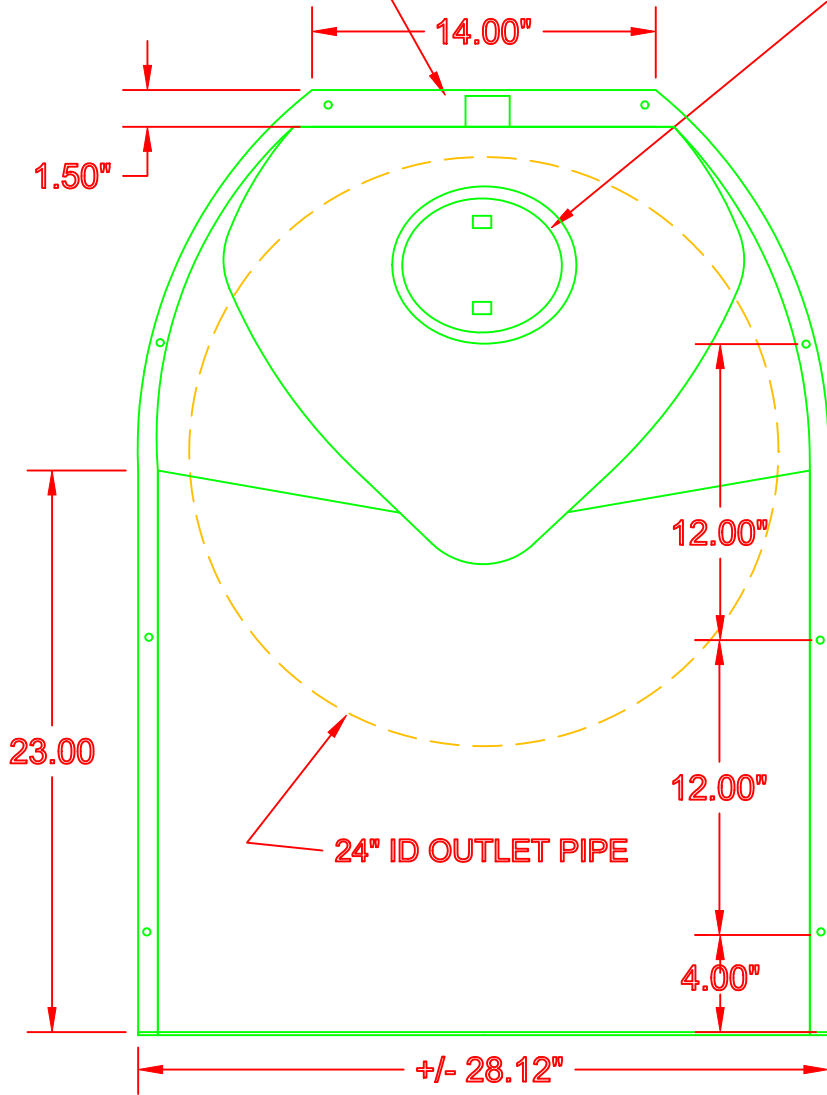


1" PVC ANTI-SIPHON
PIPE ADAPTER

6" WATERTIGHT ACCESS PORT



ALL FLANGES 1.5"

FOR INSTALLATION IN
30" SDR 35 PVC
CATCHBASIN

NOTE:
RECOMMENDED
SUMP DEPTH IS 60."
48" MINIMUM.

US PATENT #6126817
CANADA PATENT #2285146

<p>BMP, INC. 53 MT. ARCHER ROAD, LYME, CT. 06371 (800) 504-8008 FAX: (860)434-3195</p>		
<p>DESCRIPTION</p> <p>NP2430R SNOOT OIL & DEBRIS STOP</p>	<p>DATE</p> <p>06/08/06</p>	<p>SCALE</p> <p>NONE</p>
<p>DRAWING NUMBER</p> <p>NP2430R</p>		