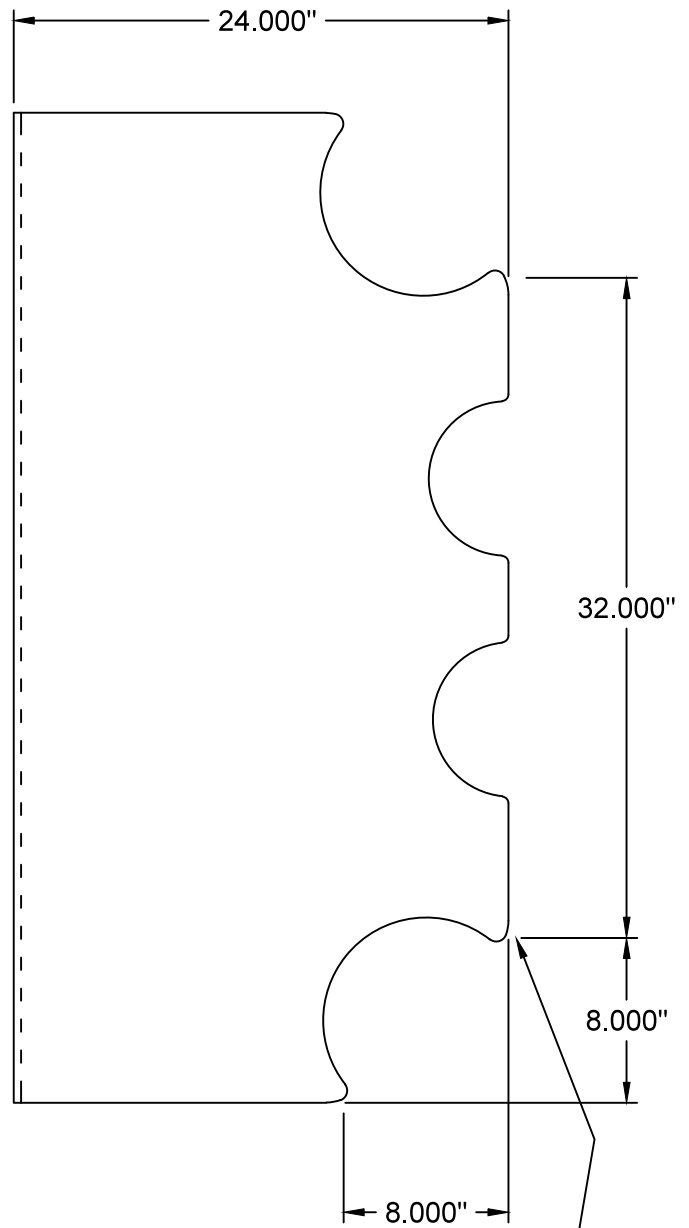
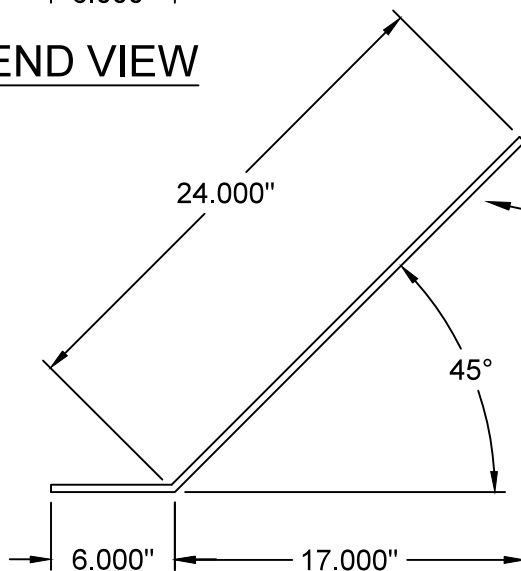


END VIEW



SIDE VIEW

GRIND ROUND CORNERS W/ .25" RADIUS



TOP VIEW

7-10 GA. 304 MIN STAINLESS
SOLID PLATE TO BE USED AT INLET ONLY

U.S. & FOREIGN PATENTS PENDING

BMP, INC.		
53 MT. ARCHER ROAD, LYME, CT. 06371 (860) 434-0277 FAX: (860)434-3195		
DESCRIPTION	DATE	SCALE
24 TURBO PLATE SOLID	01/24/19	NONE
	DRAWING NUMBER	
TP24 S		