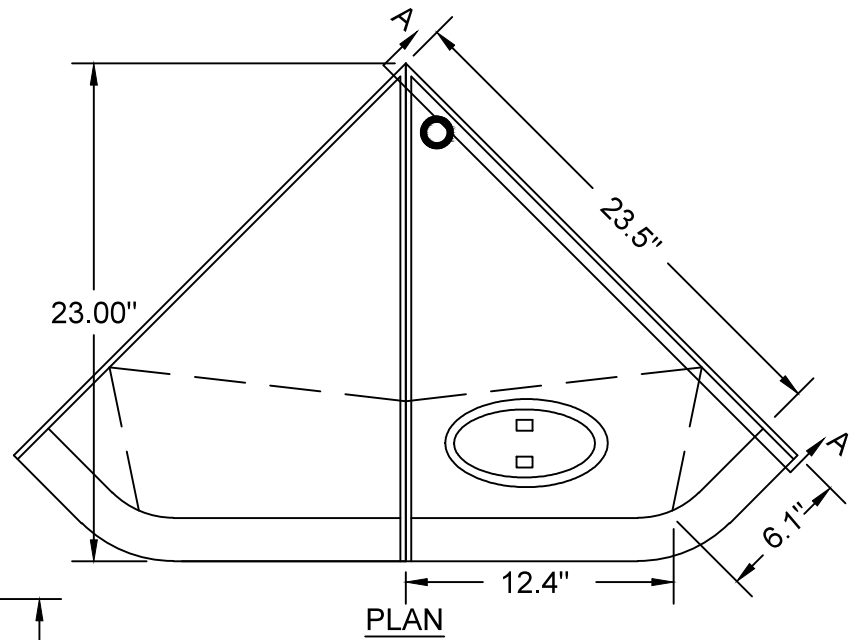
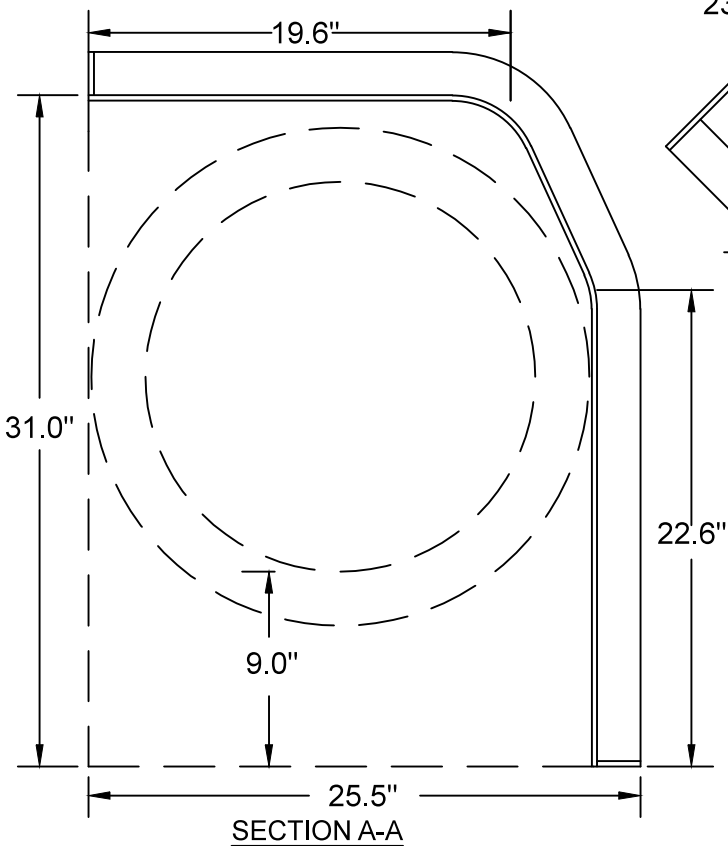


FRONT



PLAN



US PATENT #7951294  
CANADA PATENT #2690156

**BMP, INC.**

53 MT. ARCHER ROAD, LYME, CT. 06371  
(800) 504-8008 FAX: (860)434-3195

DESCRIPTION	DATE	SCALE
CORNER SNOOT OIL & DEBRIS STOP	1/11/19	NONE
	DRAWING NUMBER <b>24C</b>	