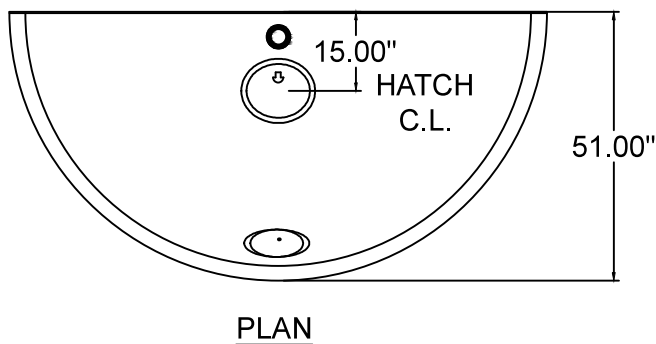
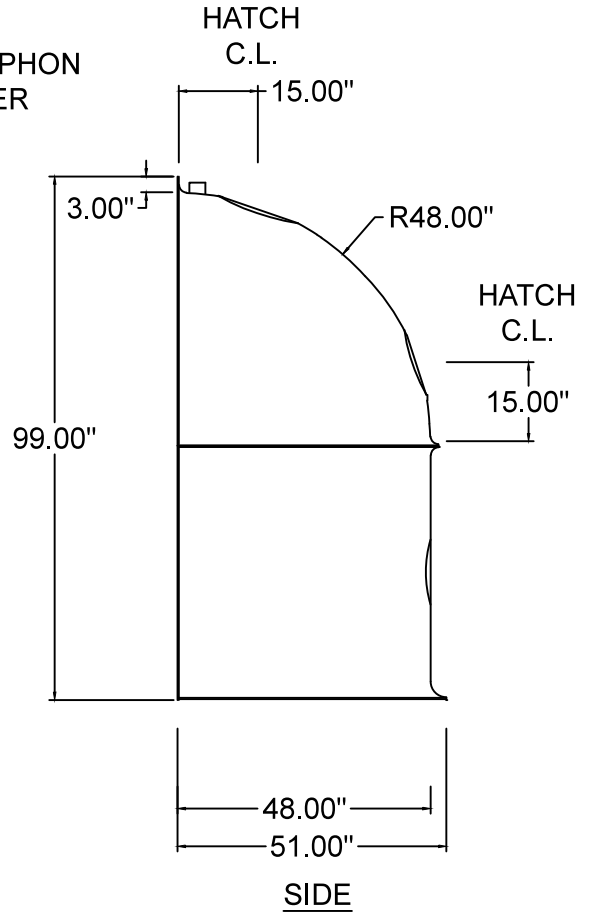
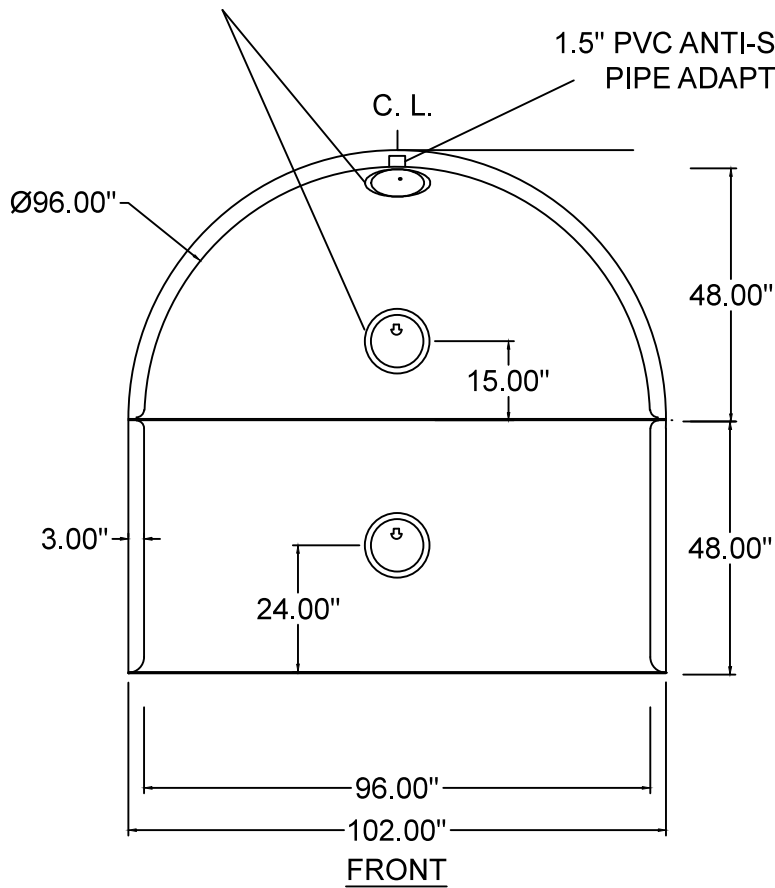


REMOVABLE WATERTIGHT
INSPECTION PORTS, 10" OPENING



HEAVY DUTY SNOOT WITH
1708 BIAXIAL FIBERGLASS
REINFORCEMENT

U.S.PATENT #6126817 ADDITIONAL PATENTS PENDING

BMP, INC

53 MT.ARCHER RD., LYME CT 06371
(800) 504-8008 FAX: (860) 434-3195

DESCRIPTION 96FTB HEAVY DUTY SNOOT OIL & DEBRIS STOP (TOP & 1 BASE)	DATE 04/12/14	SCALE NONE
	DRAWING NUMBER 96FTBHD	