

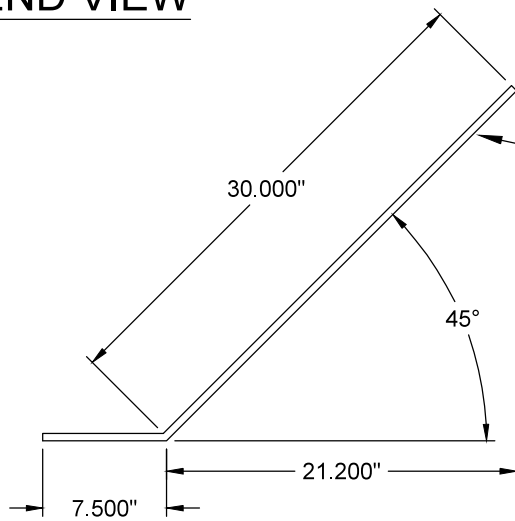
**END VIEW**

**SIDE VIEW**

GRIND ROUND CORNERS W/ .25" RADIUS

7/16" Ø HOLES ON 5" CENTERS VERT. X 2.5" HORIZ.

7 GA. 304 MIN STAINLESS



**TOP VIEW**

U.S. & FOREIGN PATENTS PENDING

**BMP, INC.**

53 MT. ARCHER ROAD, LYME, CT. 06371  
(860) 434-0277 FAX: (860)434-3195

DESCRIPTION	DATE	SCALE
30-S SPL 3 TURBO PLATE	01/24/19	NONE
	DRAWING NUMBER TP30-S 3	