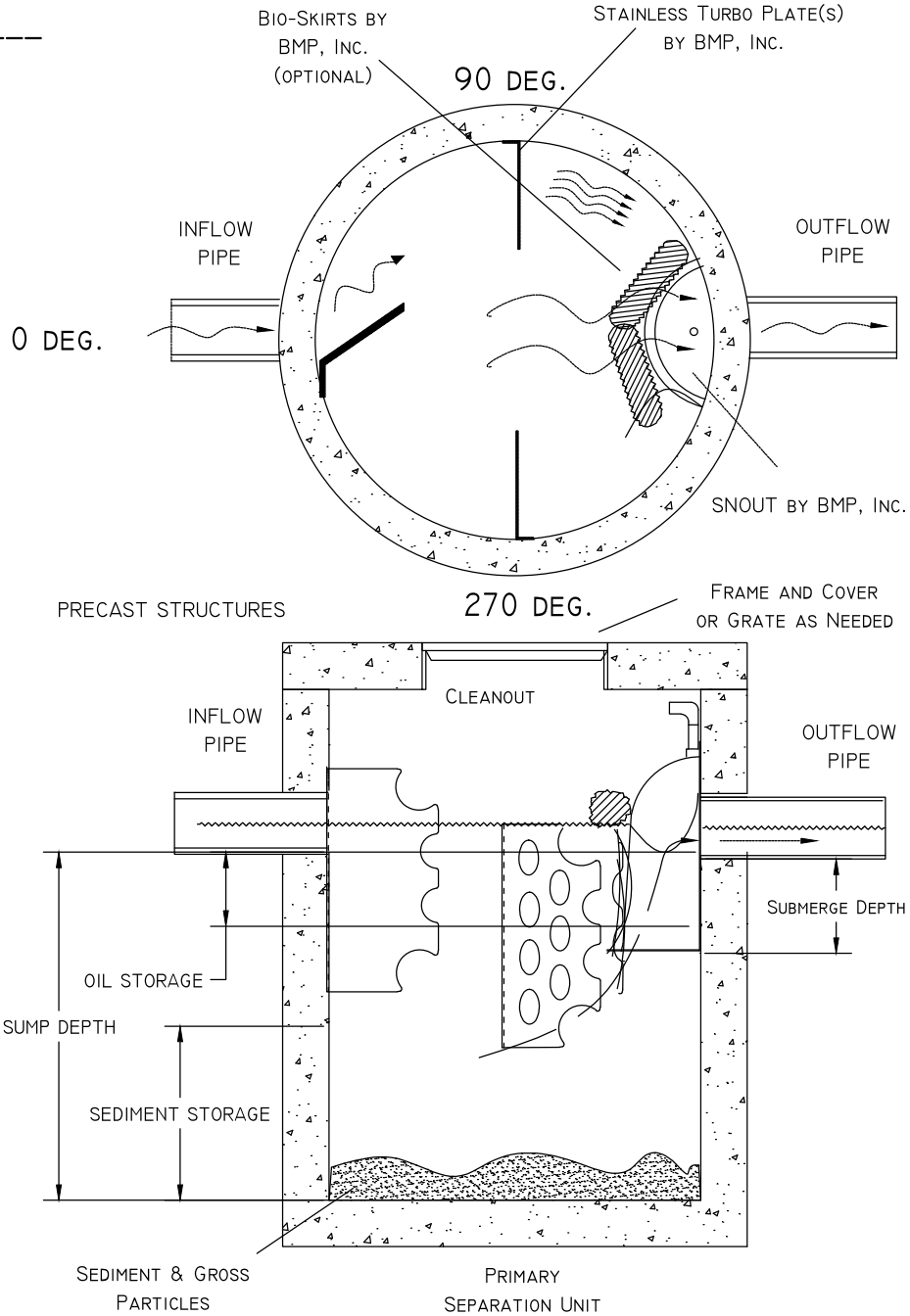


SNOUT TURBO PLATE-OIL-GRIT SEPARATOR

PROJECT: _____
 LOCATION: _____
 STRUCTURE: _____



DESIGN PARAMETERS:

SNOUT MODEL: ____ OUTFLOW PIPE ID: ____
 STRUCTURE DIAM. (INSIDE): ____
 SUMP DEPTH TOTAL/VOL: ____
 SUBMERGE DEPTH: ____
 SEDIMENT STORAGE DEPTH/VOL: ____
 OIL STORAGE DEPTH/VOL: ____
 BIO-SKIRTS: ____
 TURBO PLATES ____ (SNOUT RECOMMENDED UPSTREAM)
 TP 1: _____
 TP 2: _____
 TP 3: _____
 TP 4: _____
 TP 5: _____

BMP, INC. MANUFACTURES INTERNAL STRUCTURE COMPONENTS ONLY. THE DESIGN SUGGESTIONS ARE PRESENTED FOR INFORMATIONAL PURPOSES ONLY. BMP, INC. MAKES NO WARRANTY EXPRESSED OR IMPLIED AS TO SYSTEM PERFORMANCE. STRUCTURE DESIGNS AND INSTALLATION SHOULD BE CERTIFIED BY A PROFESSIONAL ENGINEER.

BEST MANAGEMENT PRODUCTS, INC. 9 MATTHEWS DR., A1-A2, E. HADDAM, CT. 06423 (800) 504-8008 FAX: (877)434-3197 <small>U.S.PATENT #s 6126817,7857966,7951294, 8512556 + PENDING</small>		
SINGLE TURBO PLATE OIL-GRIT SEPARATOR	DATE 09/27/17	SCALE NONE
DRAWING NUMBER TURBO-SINGLE R		